

PERFECT COMFORT

by NRG

PCWSHP Series

HIGH-EFFICIENCY
WATER SOURCE HEAT PUMP

The Perfect Fit!
The Perfect Choice!

MODEL: PCWSHP SERIES
WATER SOURCE HEAT PUMP
Replacement for the Singer Model WM, the
Water Furnace Model CC and new construction

Features:

- 2 Fan Speed High/ Low
- Fan can be continuous or cycle
- Efficient rotary compressor
- Ultra Quiet Operation
- Environmentally friendly R410A
- Right or Left water piping connections
- Compatible with Earth Loop Boiler Tower or Hydronic Systems
- Attractive appearance
- Easy to clean filter



Accessories:

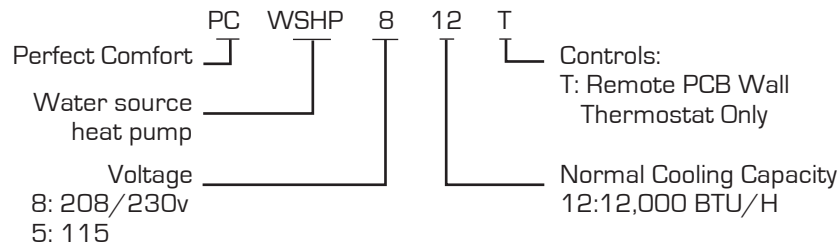
- Front Cabinet
- Thermostat



For more information, call 1- 866- 233- 4022, or email info@perfectcomfort.ca.

www.PerfectComfort.ca

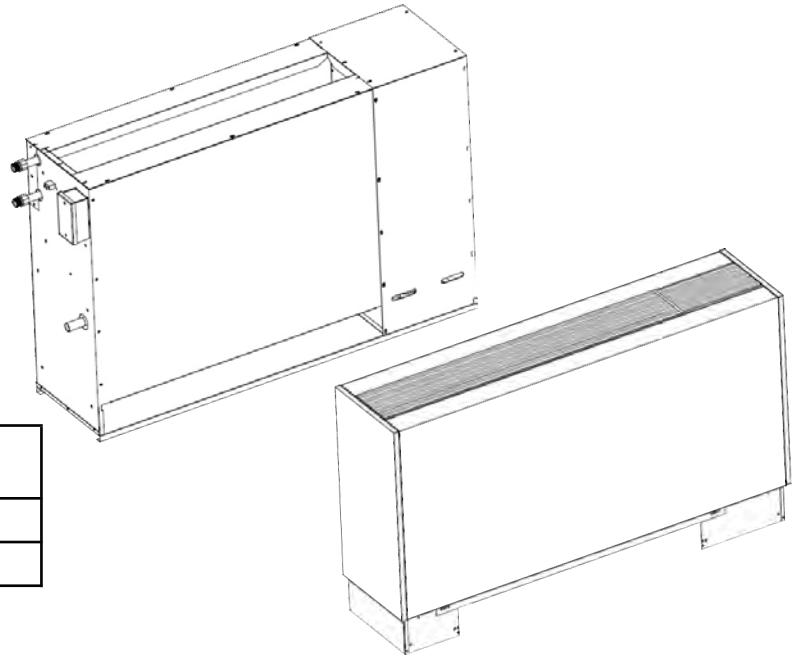
MODEL IDENTIFICATION



Specifications:

PCWSHP Specifications

Model PCWSHP	Cooling BTUH	Heating BTUH	Voltage
PCWSHP512-T	12,000	12,000	115
PCWSHP812-T	12,000	14,000	208/230



PCWSHP-12,000 BTU Electrical Specifications

Power Supply volt-1-60	Compressor		Indoor Fan Motor	Rated current amps	MIN Circuit A	MAX BRKR	MAX FUSE
Volt	RLA	LRA	FLA				
115	9.4	55	1.5	8.5	7.37	19	19
208/230	5.25	28	0.55	4.8	7.2	15	15

PCWSHP-12,000 BTU Refrigerant Specifications

Power Supply volt-1-60	Design Pressure PSIG		Refrigerant 410A [oz.]
Volt	High	Low	
115	520	240	24.69
208/230	520	240	24.69

Chassis Dimensions (in) 37-3/4" W x 25" H x 10" D
 Front Cabinet Dimensions (in) 45" W x 25-1/2" H x 10-3/4" D

Note: Model numbers are subject to change.
 The above designs and specifications are subject to change for product improvement without prior notice

DISTRIBUTED BY:

**PERFECT
COMFORT**
by NRG

Full one-year warranty including parts and labour. Full five-year warranty on compressor replacement. Manufacturer reserves rights to change specifications and discontinue design without notice.
 Manufactured by NRG Equipment.