



FEATURES

- Auto Restart Function
- Timer
- Sleep Mode
- EERs up to 9.8
- Self-evaporative System
- Remote Control

OPTIONAL FEATURES

- Wall Sleeve



APPLICATIONS

- Bedrooms
- Family Rooms
- Apartment Buildings
- Retail Spaces
- Office & Work Areas
- Restaurants
- Schools
- Warehouse Offices
- Home Additions



The Perfect Fit! The Perfect Choice!

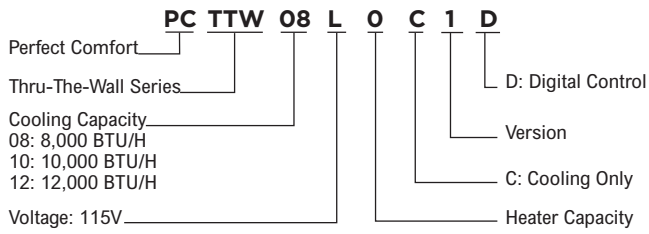
For more information

Call 1-866-233-4022

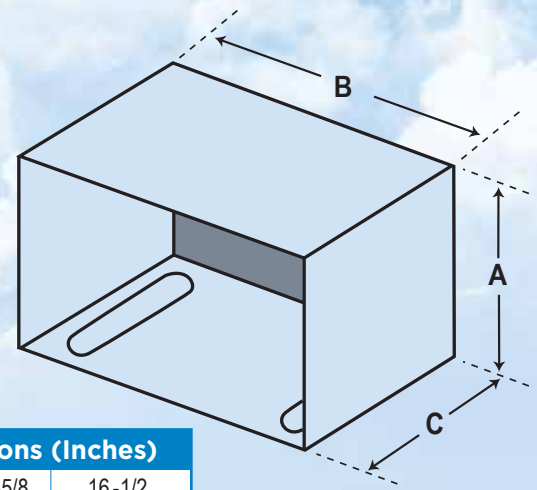
Email info@perfectcomfort.ca

www.perfectcomfort.ca

Model Identification



Wall Sleeve Dimensions



Universal Installation Kit For Replacement Chassis: Wall Sleeve Dimensions (Inches)

Height	A	15-3/4	15-17/32	15-5/8	16-7/8	16-3/4	15-3/4	15-5/8	16-1/2
Width	B	26	25-7/8	26	25-3/4	27	26-3/4	26	25-7/8
Depth	C	16-3/4	16-23/32	16-7/8	18-5/8	16-3/4 or 19-3/4	15	16-7/8	17-1/8 or 23

Model No.

PCTTW08LOC1D

PCTTW10LOC1D

PCTTW12LOC1D

Capacity

Cooling Capacity	BTU/h	8,000	10,000	12,000
	kW	2.34	2.93	3.52
Heating Capacity	BTU/h	----	----	----
	kW	----	----	----

Electrical Parts

Power Supply	V~/Hz/Ph	115/60/11/4	115/60/1	115/60/1
Power Input (W)	Cooling	816	1020	1224
	Heating	----	----	----
Operating Current (A)	Cooling	7.1	8.87	5.0 / 5.9
	Heating	----	----	11.6

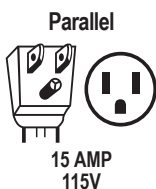
Performance

EER	BTU/h	9.8	9.8	9.8
Energy Rate		Energy Star	Energy Star	Energy Star
Air Flow Volume	m ² /h	490	458	511
Noise Level	CFM	288	269	301
	db(A)	59	59	63

Dimensions & Weight

Net Dimension (W x H x D)	inch	24 x 14-3/8 x 18-1/2	24 x 14-3/8 x 18-1/2	24 x 14-3/8 x 18-1/2
Net Weight	lb	60.2	66.1	72.3
Gross Weight	lb	69.4	75.4	81.6

WALL RECEPTACLES



For more information

Call 1-866-233-4022
 Email info@perfectcomfort.ca
www.perfectcomfort.ca



DISTRIBUTED BY:

Manufacturer reserves the right to change specifications. Our products are subject to continuous improvements, Perfect Comfort / NRG Equipment reserves the right to modify product design and specifications, discontinue design without notice and without incurring any obligations.